



PHT Clean Guard

Mobile hygiene sluices for more flexibility

The mobile hygiene airlock type PHT Clean Guard offers you a wide range of configuration options. This allows you specific application possibilities according to your needs.

Clean Guard offers you a contactless measurement of the body temperature with subsequent hand disinfection and release through the three-arm turnstile.

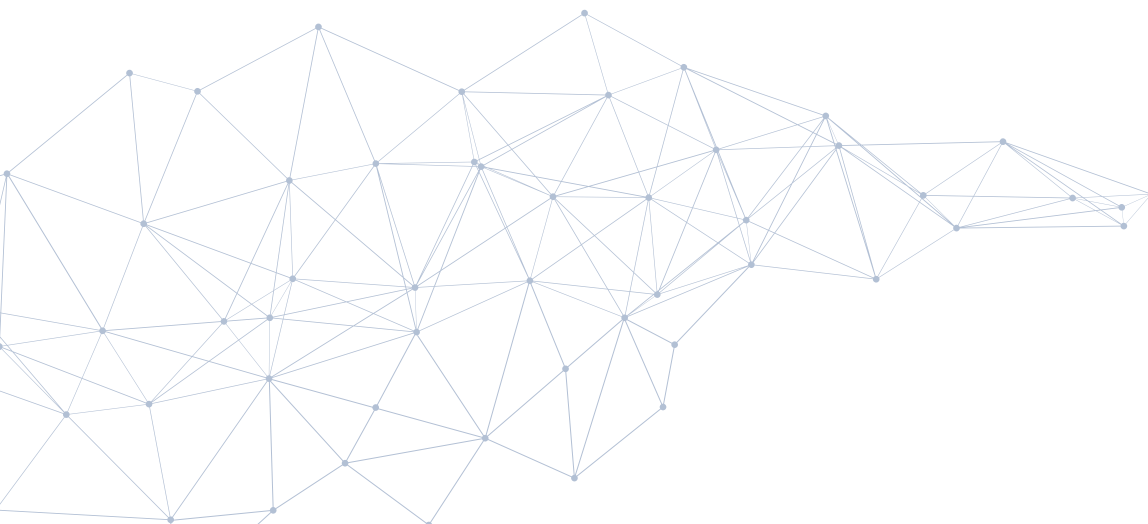
Clean Perfect additionally enables the control of the mouth and nose protection mask.

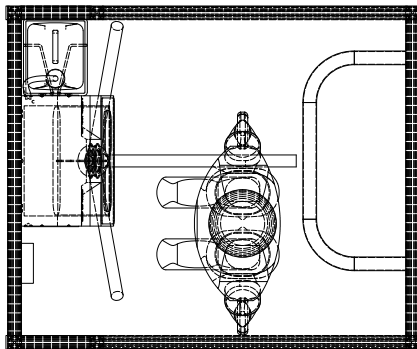
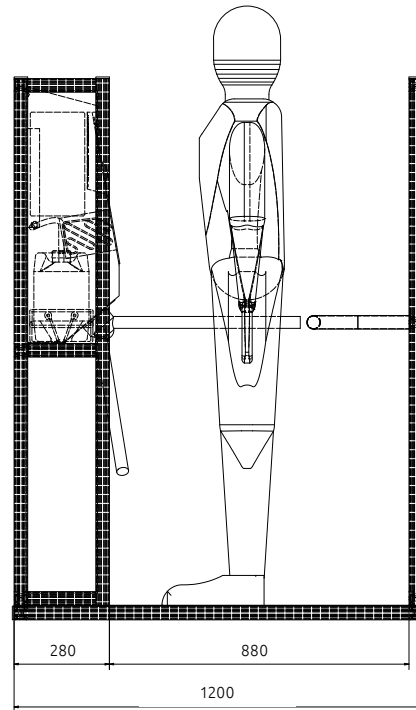
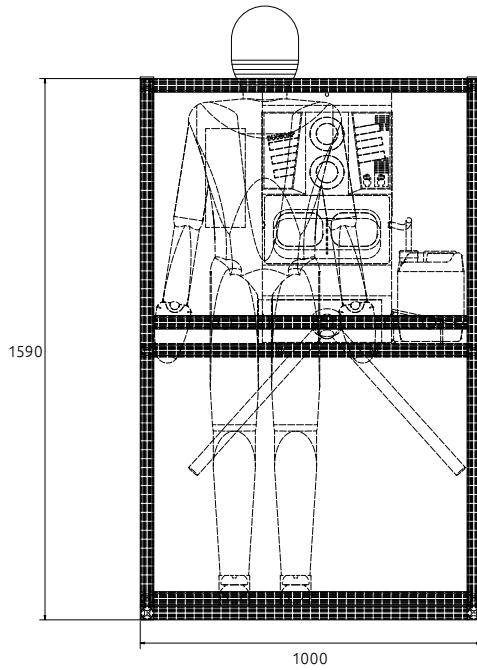
Equipment:

- 2 Dispenser for mouth guard
- 1 Inlet Control with 3-arm turnstile
- 1 PHT SXcan
- Open roof

Options:

- Duotizer without turnstile
- Manotizer
- Inlet Gate with 2-arm turnstile
- Waste collector
- Ramps for entrance and exit
- PHT MultiScan





Subject to technical changes.

Additionally available:



PHT SXcan



PHT MultiScan



PHT Manotizer with Display